



ERG-EH SERIES

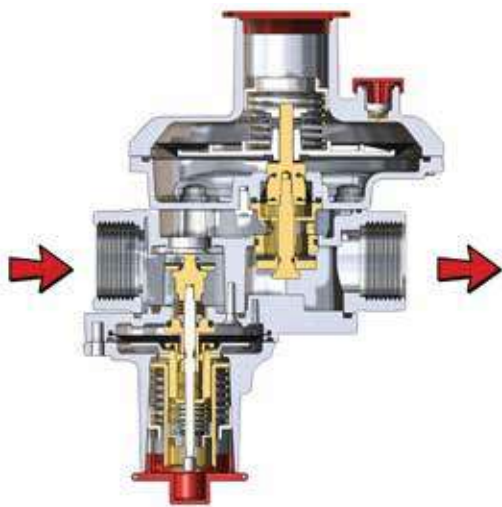
GAS PRESSRE REGULATOR
WITH SAFETY SHUT OFF
VALVE (UPSO + OPSO)
MAX PRESSURE 5 BAR

ERG-EH

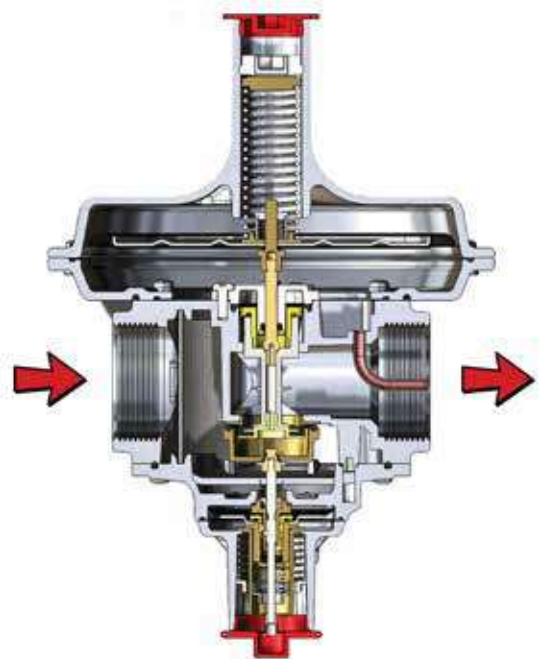
Introduction

ERG-EH series gas pressure regulators are used in the gas lines in order to reduce maximum 5 bar input pressure to the desired output pressure between 16 and 500 mbar. The range of the output pressure can be set with the choice of a different spring. The regulator with safety stopping gets automatically active and stops the gas flow in case that the input pressure gets higher or lower than the adjusted value in order to ensure the safety of the devices used in the system thanks to the safe stopping system it includes.

Configurations



ERG-EH 1015 - 1020 - 1025

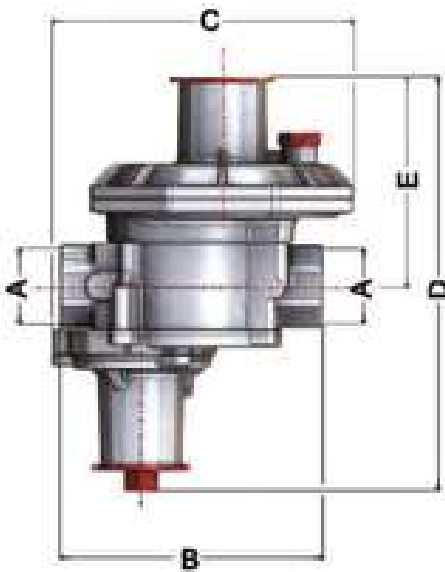


ERG-EH 1032 - 1040 - 1050

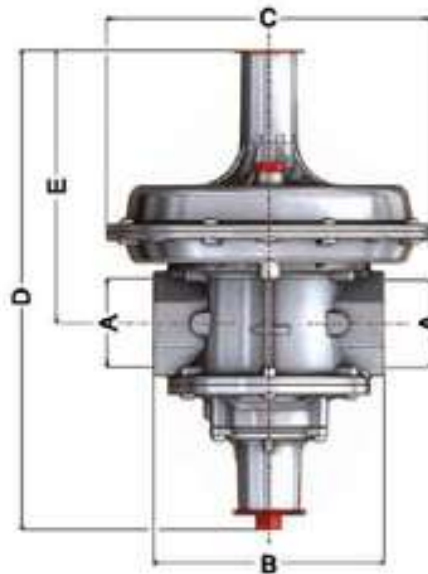
Technical Information

- Usage: City gas networks and gas pipelines in industrial areas
- Medium: Non corrosive gases such as natural gas (methane), LPG, town gas, Air, etc...
- Pressure Class: PN5
- Connection or port size: 3/4", 1", 1 1/4", 1 1/2", 2" threaded and Flanged
- Inlet pressure range: 500 mbar up to 5 bar
- Outlet pressure range: 16 mbar up to 500 mbar
- Filter: optional
- Number of stages: Single stage
- Accuracy class: AC 10 ($\pm 10\%$)
(on request AC5, AC15, AC20)
- Lock Up Pressure Class: SG30 (+ 30%)
(On Request SG10, SG20)
- Ambient Temperature: -20°C up to 60°C
(On request -40 °C)
- OPSO Pressure Range: 30 mbar up to 200 mbar
- OPSO Pressure Tolerance: 20%
- UPSO Pressure Range: 12 mbar up to 150 mbar
- UPSO Pressure Tolerance: 20%
- Shut Off Time: Less than 1 second
- Structural Additional Features: With Shutoff
- Material Standard: Aluminum-EN 1706
Brass-EN 12164 and EN 12165 / Rubber-EN 549
- According to Directives: 2014/68/EU
- Capacity: Up to 1000m³/h

Dimensions



MODEL	A	B	C	D	E
ERG-EH 1015	1/2"	136	156	215	110
ERG-EH 1020	3/4"	136	156	215	110
ERG-EH 1025	1"	136	156	215	110



MODEL	A	B	C	D	E
ERG-EH 1015	1 1/4"	160	225	332	183
ERG-EH 1020	1 1/2"	160	225	332	183
ERG-EH 1025	2"	160	225	332	183

Product range



Rotary piston gas meters



Turbine gas meters



Gas pressure regulators



Electronic volume correctors



Diaphragm gas meters



Smart meters

metrixitalia

Metrix Italia s.r.l.

Via Nona Strada 53 - 35129 Padova (Italy)

Tel: +39 049 5349377 - Fax: +39 049 8076008

www.metrixitalia.it - E-mail: info@metrixitalia.it